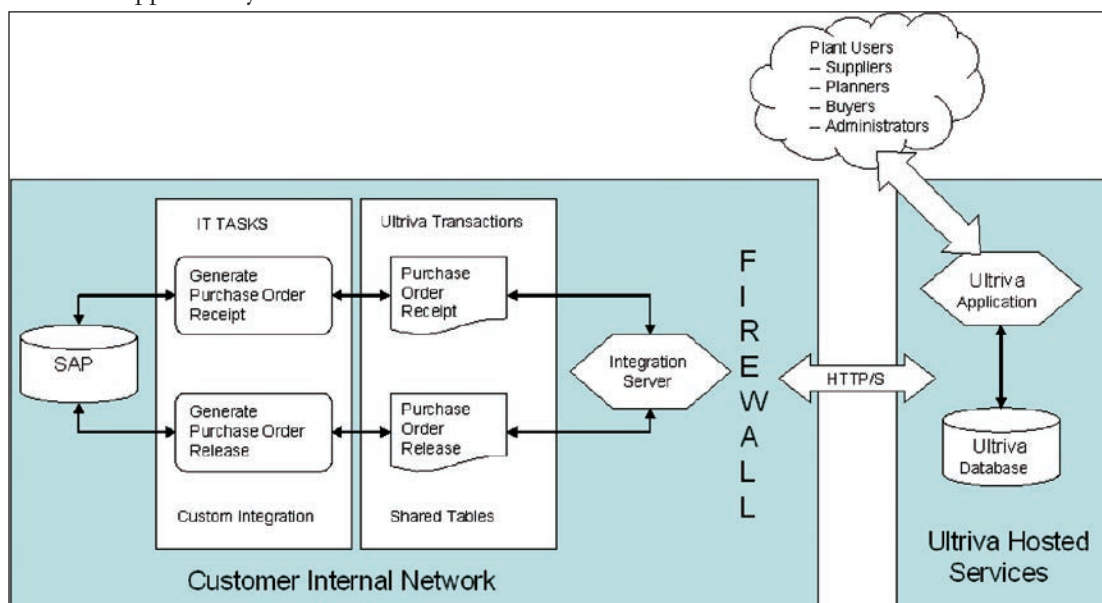


Ultriva Lean Manufacturing Software Announces Real-Time SAP Connector

CUPERTINO, Calif. – May 3, 2006 – Ultriva Inc., the world leader in lean manufacturing software, today announced the availability of its Real-Time SAP Connector. In conjunction with SAP’s Integration Certification Center, Ultriva has developed and successfully completed testing for integration of its software with SAP’s (NYSE: SAP) world-leading ERP systems. Ultriva’s SAP Connector ensures that any SAP customer can reliably deploy and integrate Ultriva’s cost-saving Electronic Kanban application with SAP in three to four weeks at a fraction of the cost of a typical integration project.

Customers using SAP and Ultriva will be able to use Ultriva as their lean execution system while continuing to use SAP as their system of record for inventory and purchasing data. This approach allows customers to leverage their investments in SAP while substantially improving on-time delivery and reducing inventory through best-in-class lean manufacturing techniques. As material is consumed and Ultriva kanban cards are scanned, SAP will be updated in real-time with new purchase orders or purchase order receipts. This approach eliminates data entry and streamlines processes, allowing shop floor operators to focus on the factory floor while knowing that all of the necessary information is being provided to the SAP system.

Ultriva’s SAP Connector uses standard SAP BAPI (Business Application Program Interfaces) to ensure secure and reliable data sharing. The SAP Connector is an extension to Ultriva’s Integration Platform, which includes a toolset for rapidly creating or extending integration touch points while guaranteeing zero lost transactions. The Ultriva toolset now has the ability to dynamically import BAPI definitions, including tables, structures and rowsets dramatically reducing the time required to map to new or customized SAP integration touch points. This combination of flexibility and support for SAP BAPIs allows Ultriva to quickly deliver to SAP customers customized integration touch points which match their configuration of SAP. In addition to BAPI support, Ultriva’s Integration Platform ensures rapid, cost-effective integration with almost any IT system through bi-directional communication via SQL databases, XML, flat-file, EDI, terminal emulation and other custom API. The diagram below describes an integration scenario supported by Ultriva.



- more -

The integration points supported by Ultriva's Electronic Kanban are purchase order creation and release, blanket purchase order release, purchase order receipt, inventory transfer and scheduled MRP order release.

"There is a tremendous interest within the SAP customer base in systems to support lean manufacturing techniques," said Ashley Stirrup, CEO of Ultriva. "The Ultriva Real-Time SAP Connector is a testament to our commitment to helping customers achieve payback in 90 days or less. We see it reducing both the risk and expense associated with SAP integration."

For more information about Ultriva's products, services, or SAP integration, go to www.ultriva.com.

About Ultriva

Ultriva, Inc., is a leader in lean manufacturing software that drives lean processes across the supply chain – from suppliers to customers. Ultriva's flagship product, Ultriva Electronic Kanban, eliminates stock-outs while reducing inventory levels up to 75 percent. Ultriva Lean Scheduling complements demand-driven replenishment strategies by optimizing production schedules in real-time around the most variable customer demand. Ultriva Supplier Replenishment extends the replenishment capabilities of kanban to include schedule-based replenishment, discrete POs, min/max, consignment and VMI (vendor-managed inventory) replenishment methods. Ultriva's products are in use in more than 80 plants worldwide incorporating more than 1,000 suppliers and reducing manufacturing costs with industry leaders such as Rexnord, Emerson, Ingersoll-Rand and Invensys.

- # # # -

Media Inquiries:

Michael Coates, 408.399.9081, mcoates@mightycommunications.com